

直线型过滤器 Line strainer



S4

塑料或不锈钢滤网

plastic or stainless steel screen

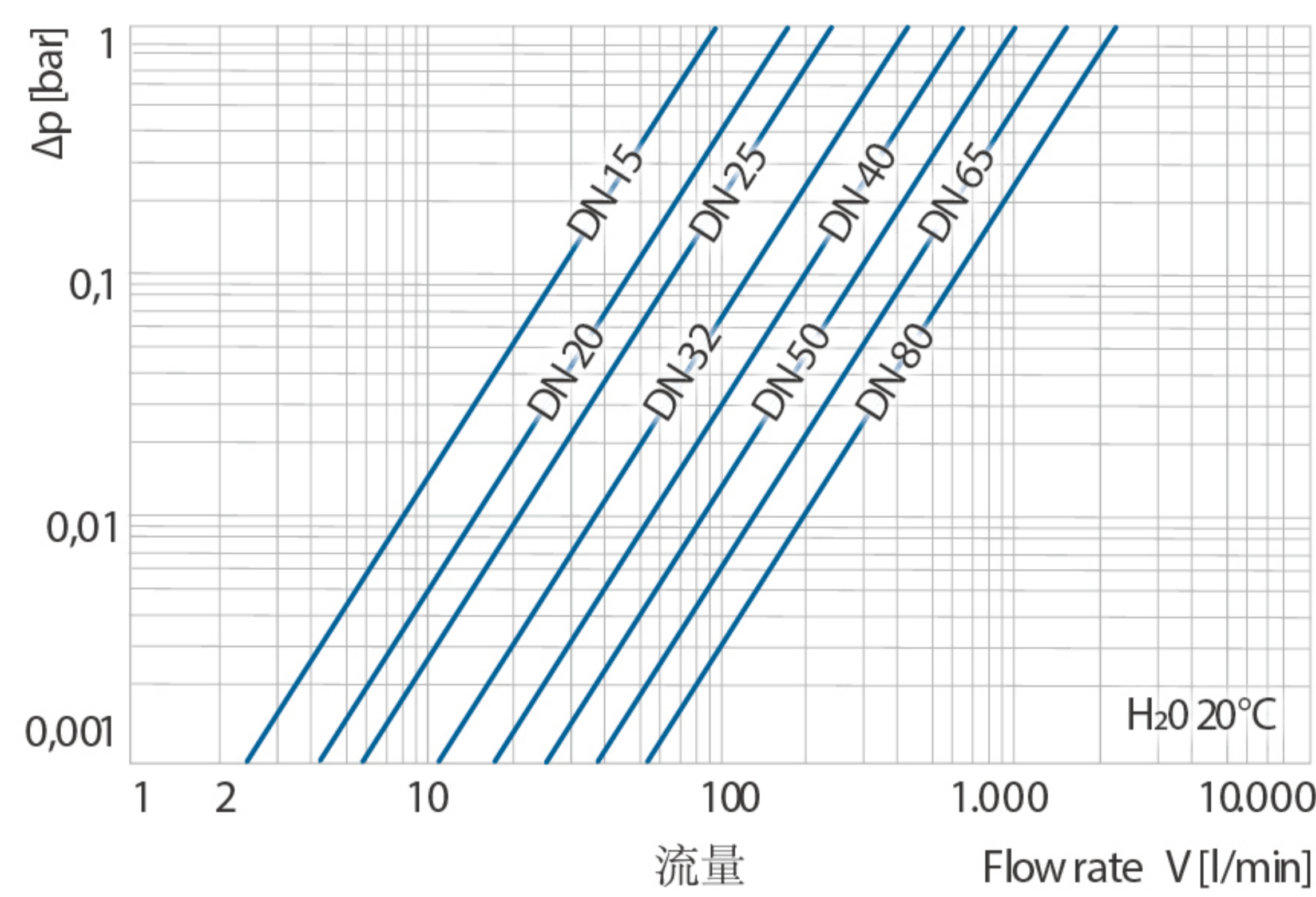
- 透明PVC阀体
- 标准PP滤网, 目数1.8mm
- 可选配AISI304不锈钢滤网
目数0.5mm, 0.75mm, 或1.0mm
- 也可作为视窗
-根据需要
- Transparent body (PVC model only)
- PP plastic insert, mesh size 1.8mm (standard configuration)
- Stainless steel screen AISI304, mesh size 0.5mm, 0.75mm or 1mm
- Also as sight glass suitable (available on request)



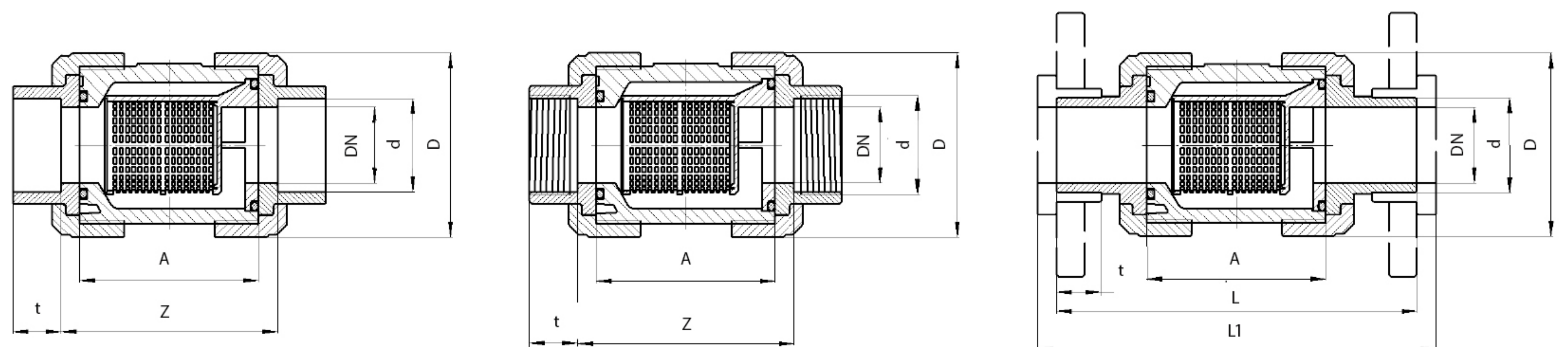
材料 Models	密封 Seals	尺寸 Dimensions	PN	连接方式 Connections
 PVC-U	EPDM, FPM	DN10/d1 6 ³ / ₈ " - DN65/d7 5/2"	16	承插粘结
		DN80 / d90 / 3"	10	外插粘结
 PP	EPDM, FPM	DN10/d1 6 ³ / ₈ " - DN50/d6 3/2"	10	承插焊接
		DN80/d90/3" - DN80/d1 0/4"	6	对焊连接
				螺纹连接
				法兰连接
				PE承插焊接
				PE对焊连接
				fusion socket PE
				fusion spigot PE
				fusion socket
				fusion spigot
				threaded socket
				flange

压力损失 Pressure Loss

性能 Performance



外型尺寸 Dimensions	d	DN	G	L	L1	A	D	Z*	t*
	16	10	3/8"	114	120	62	53	67,5-71	14,5-16,5
	20	15	1/2"	124	130	62	53	67,5-71	14,5-16,5
	25	20	3/4"	144	150	70	63	76-79	17-19,5
*根据材质 *depend on material	32	25	1"	154	160	74	70	81-84	19,5-22,5
	40	32	1 1/4"	174	180	84	85	90-96	22-26,5
	50	40	1 1/2"	194	200	95	101	104-114	25-31,5
	63	50	2"	224	230	109	121,5	121-134	29-38,5
	75	65	2 1/2"	284	290	137	155	148-162	34,5-45
	90	80	3"	300	310	163	188	183-211	38,5-55,5
	110	80	4"	340	350	163	188	176-207	44-64



永熙机电